

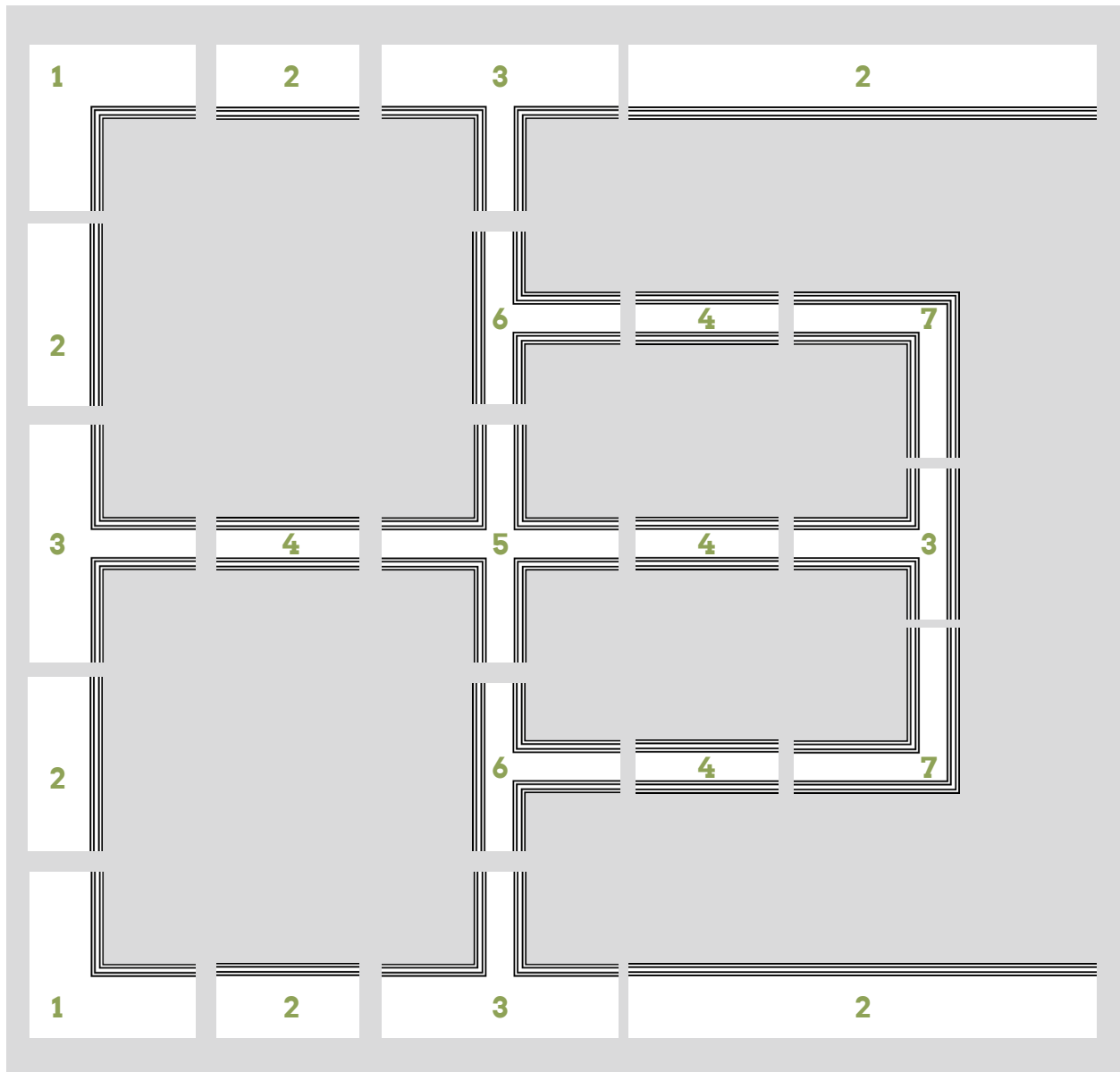


URETHANE COFFERED CEILING SYSTEMS

Coffered Ceiling System Breakdown

The Ekena Millwork Coffered Ceiling System is made up of various parts. Below is a dissection of what our coffered ceiling system looks like broken down.

1. **Perimeter Corner** - Has flush back to butt up against the wall for a seamless joint.
2. **Perimeter Beam** - Has flush back & comes 96" long.
3. **Perimeter Tee** - Has flush back & extends away from the wall to connect with the inner beam or intersect pieces.
4. **Inner Beam** - Spans up to 96" & has trim detail on both sides.
5. **Intersect Piece** - Comes in four styles & eliminates the need to miter cut.
6. **Inner Tee** - Creates the opportunity to design inner patterns. Has trim details on the edges.
7. **Inner Corner** - Creates the opportunity to design inner patterns. Has trim details on the edges.



8" Deluxe Coffered Ceiling System

Part No.	Piece	W	P	L	\$
CC08IBM04X08X96DE	Inner Beam	8"	3 1/2"	96"	\$130.22
CC08ICI04X20X20DE	Inner Cross Intersection	20"	3 1/2"	20"	\$65.79
CC08ICI04X36X36DE	Inner Circle Intersection	36"	3 1/2"	36"	\$194.95
CC08ICN04X14X14DE	Inner Corner	14"	3 1/2"	14"	\$39.86
CC08IDI04X36X36DE	Inner Diamond Intersection	36"	3 1/2"	36"	\$158.73
CC08ISI04X36X36DE	Inner Square Intersection	36"	3 1/2"	36"	\$165.24
CC08ITE04X14X20DE	Inner Tee	14"	3 1/2"	20"	\$52.21
CC08PBM04X08X96DE	Perimeter Beam	8"	3 1/2"	96"	\$163.69
CC08PIC04X14X14DE	Perimeter Inside Corner	14"	3 1/2"	14"	\$53.09
CC08POC04X14X14DE	Perimeter Outside Corner	14"	3 1/2"	14"	\$48.32
CC08PTE04X14X20DE	Perimeter Tee	14"	3 1/2"	20"	\$61.22



Inner Cross Intersection



Inner Square Intersection

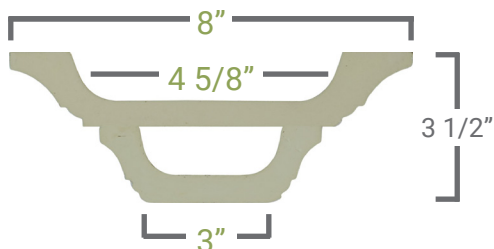


Inner Diamond Intersection

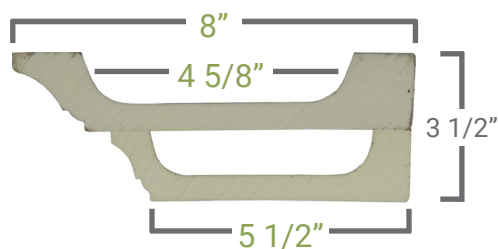


Inner Circle Intersection

Inner Beam Profile



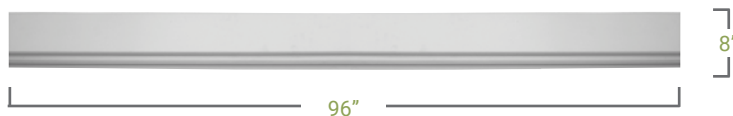
Perimeter Beam Profile



Inner Beam



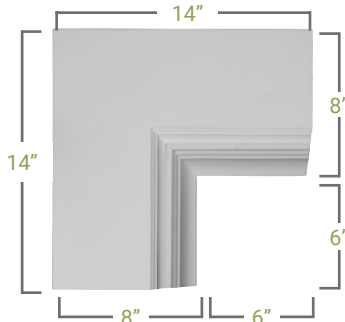
Perimeter Beam



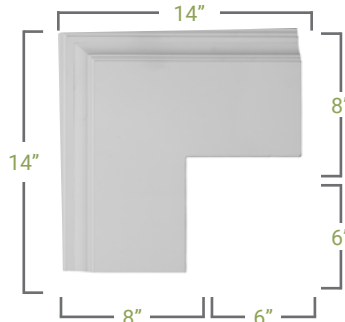
Inner Corner



Perimeter Inside Corner



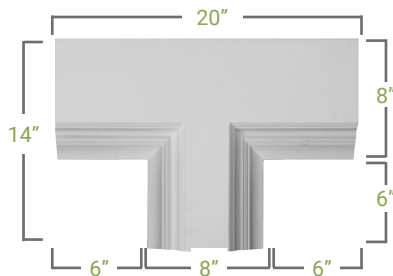
Perimeter Outside Corner



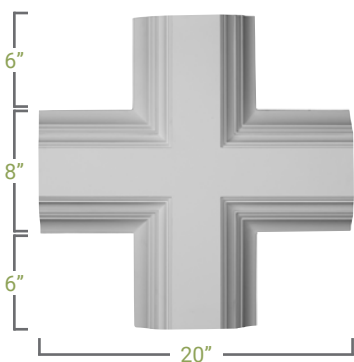
Inner Tee



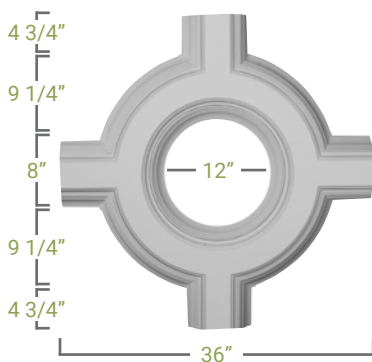
Perimeter Tee



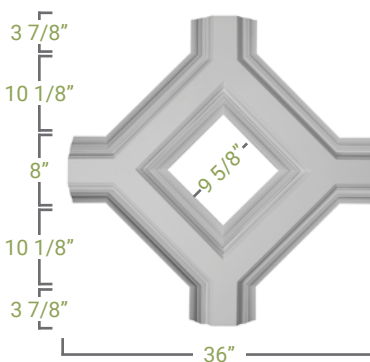
Inner Cross Intersection



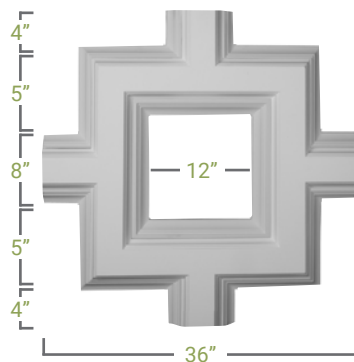
Inner Circle Intersection



Inner Diamond Intersection



Inner Square Intersection



5" Traditional Coffered Ceiling System

Part No.	Piece	W	P	L	\$
CC05IBM02X04X96TR	Inner Beam	4 1/2"	1-3/4"	96"	\$50.00
CC05ICI02X20X20TR	Inner Cross Intersection	20"	1-3/4"	20"	\$30.60
CC05ICI02X36X36TR	Inner Circle Intersection	36"	1-3/4"	36"	\$75.26
CC05ICN02X14X14TR	Inner Corner	14"	1-3/4"	14"	\$18.32
CC05IDI02X36X36TR	Inner Diamond Intersection	36"	1-3/4"	36"	\$66.06
CC05ISI02X36X36TR	Inner Square Intersection	36"	1-3/4"	36"	\$68.09
CC05ITE02X14X20TR	Inner Tee	14"	1-3/4"	20"	\$20.70
CC05PBM02X06X96TR	Perimeter Beam	6 1/4"	1-3/4"	96"	\$70.83
CC05PIC02X14X14TR	Perimeter Inside Corner	14"	1-3/4"	14"	\$24.46
CC05POC02X14X14TR	Perimeter Outside Corner	14"	1-3/4"	14"	\$22.69
CC05PTE02X14X20TR	Perimeter Tee	14"	1-3/4"	20"	\$25.47



Inner Cross Intersection



Inner Square Intersection

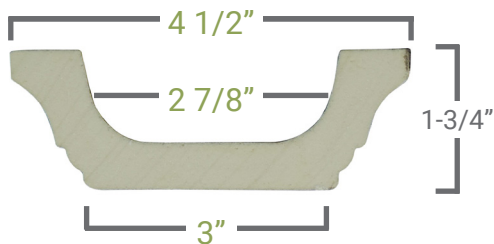


Inner Diamond Intersection

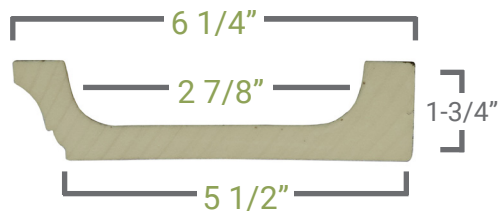


Inner Circle Intersection

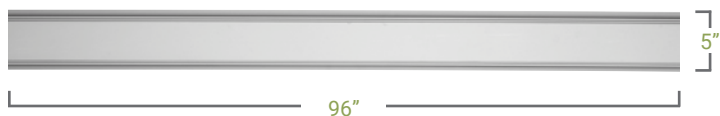
Inner Beam Profile



Perimeter Beam Profile



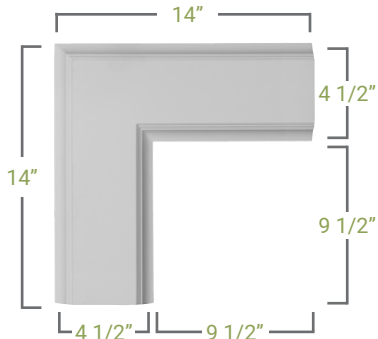
Inner Beam



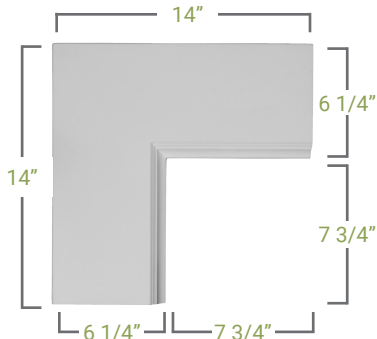
Perimeter Beam



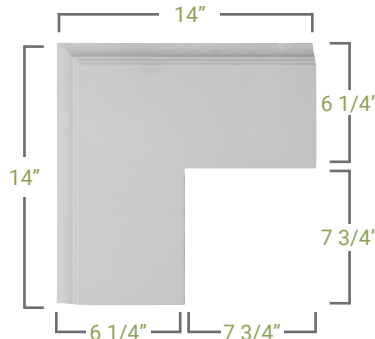
Inner Corner



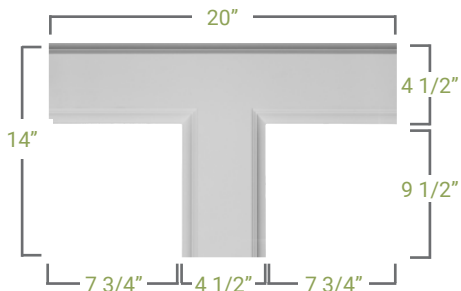
Perimeter Inside Corner



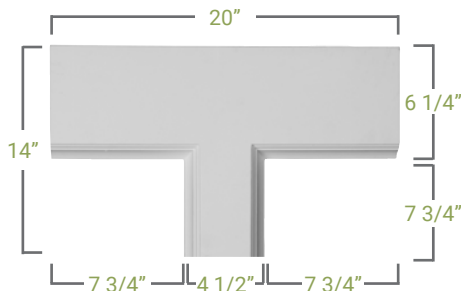
Perimeter Outside Corner



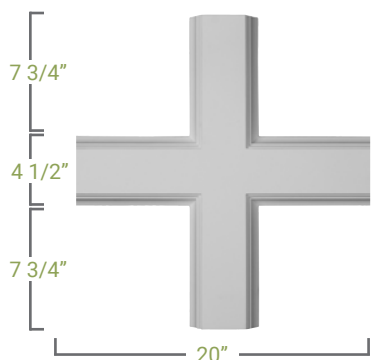
Inner Tee



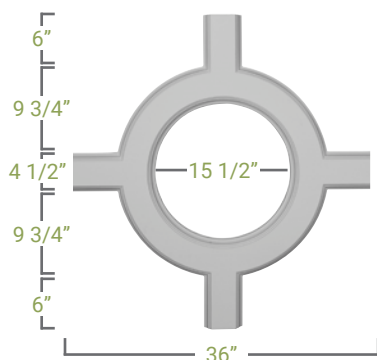
Perimeter Tee



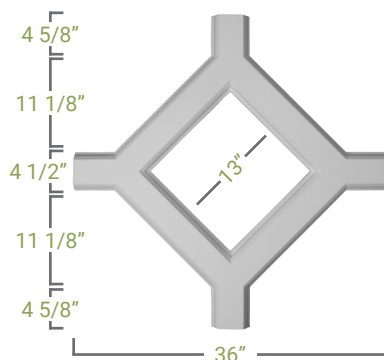
Inner Cross Intersection



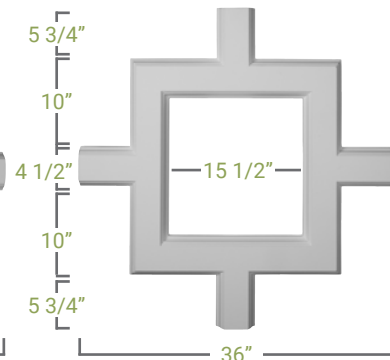
Inner Circle Intersection



Inner Diamond Intersection



Inner Square Intersection



8" Traditional Coffered Ceiling System

Part No.	Piece	W	P	L	\$
CC08IBM02X08X96TR	Inner Beam	8"	1-3/4"	96"	\$80.24
CC08ICI02X20X20TR	Inner Cross Intersection	20"	1-3/4"	20"	\$40.19
CC08ICI02X36X36TR	Inner Circle Intersection	36"	1-3/4"	36"	\$119.68
CC08ICN02X14X14TR	Inner Corner	14"	1-3/4"	14"	\$24.53
CC08IDI02X36X36TR	Inner Diamond Intersection	36"	1-3/4"	36"	\$92.67
CC08ISI02X36X36TR	Inner Square Intersection	36"	1-3/4"	36"	\$103.15
CC08ITE02X14X20TR	Inner Tee	14"	1-3/4"	20"	\$31.52
CC08PBM02X08X96TR	Perimeter Beam	8"	1-3/4"	96"	\$92.87
CC08PIC02X14X14TR	Perimeter Inside Corner	14"	1-3/4"	14"	\$28.63
CC08POC02X14X14TR	Perimeter Outside Corner	14"	1-3/4"	14"	\$28.63
CC08PTE02X14X20TR	Perimeter Tee	14"	1-3/4"	20"	\$35.75



Inner Cross Intersection



Inner Square Intersection

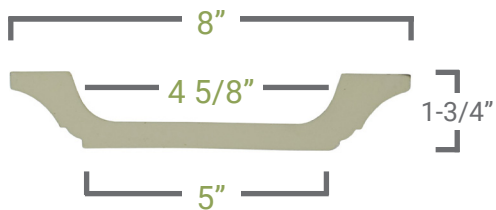


Inner Diamond Intersection

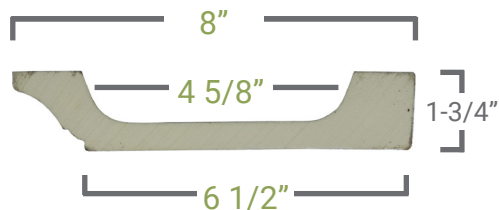


Inner Circle Intersection

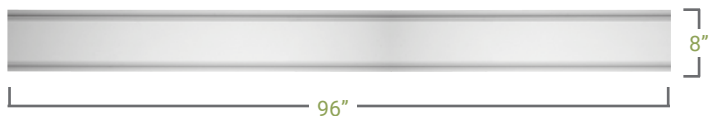
Inner Beam Profile



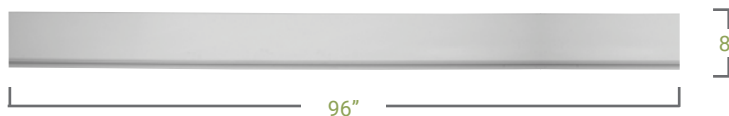
Perimeter Beam Profile



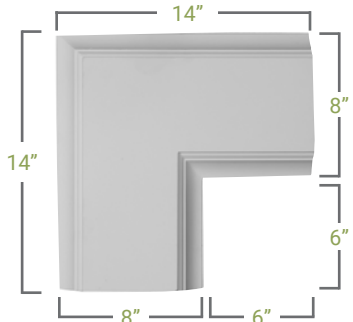
Inner Beam



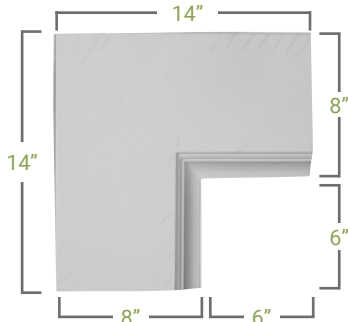
Perimeter Beam



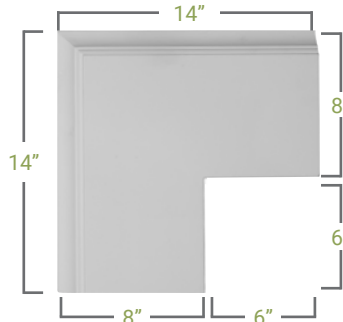
Inner Corner



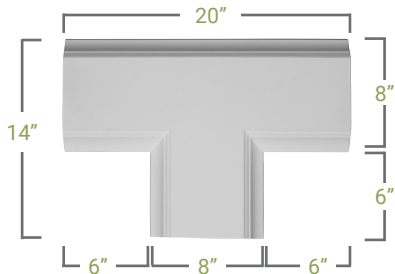
Perimeter Inside Corner



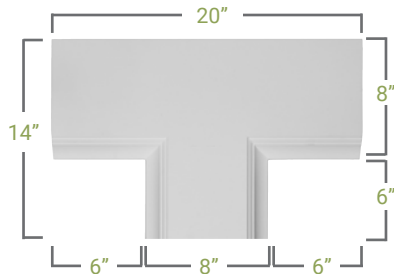
Perimeter Outside Corner



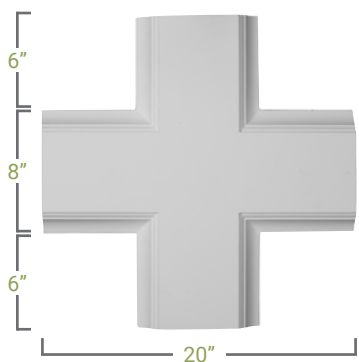
Inner Tee



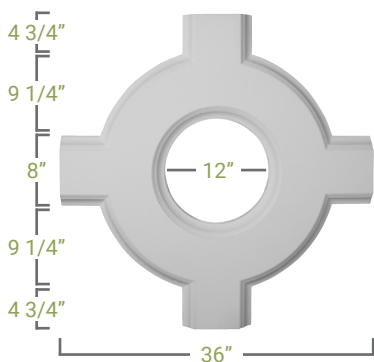
Perimeter Tee



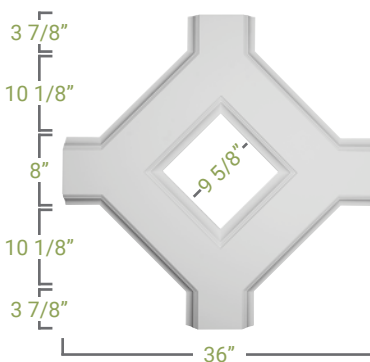
Inner Cross Intersection



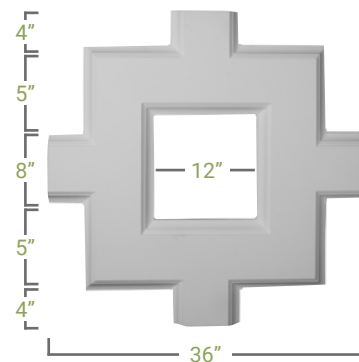
Inner Circle Intersection



Inner Diamond Intersection



Inner Square Intersection



Measuring Instructions

STEP BY STEP INSTRUCTIONS

When measuring your ceiling ensure that you take into account the variations in your ceiling. We recommend measuring various points even if the measurement appears to be the same. The ceilings in Example 1 show you the different type of ceiling you may encounter. On the examples there are dotted lines to give you a rough idea of what you should be measuring in each one of the instances.

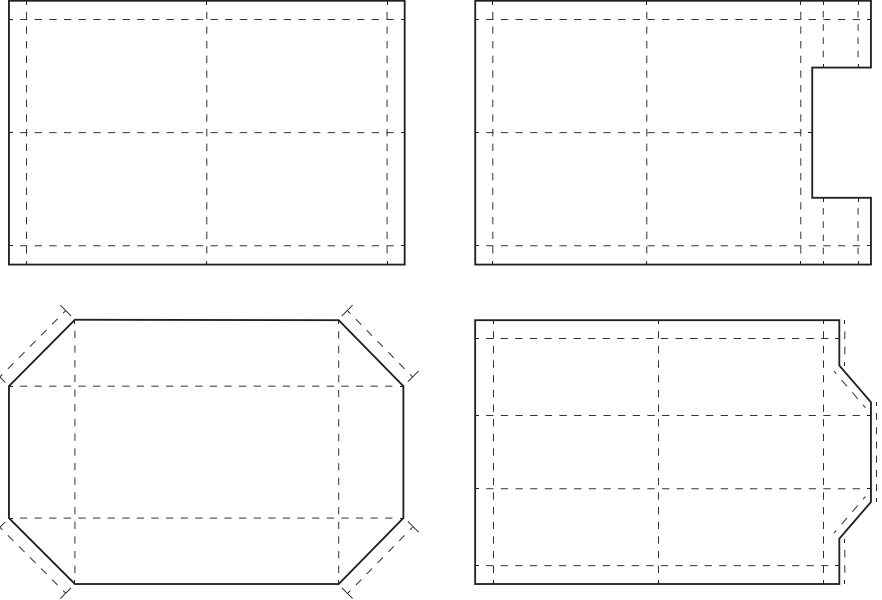
After measuring your ceiling determine how many coffers you would like on your ceiling. Using that as your guide it is recommended that you draft up a sketch like Example 2. Starting with your corner pieces and then working around the perimeter determining how many Tee pieces and intersects you will need. The result will be a parts list and how many pieces of inner and perimeter beams that will be need for your project.

For reference here is a parts list for Example 2:

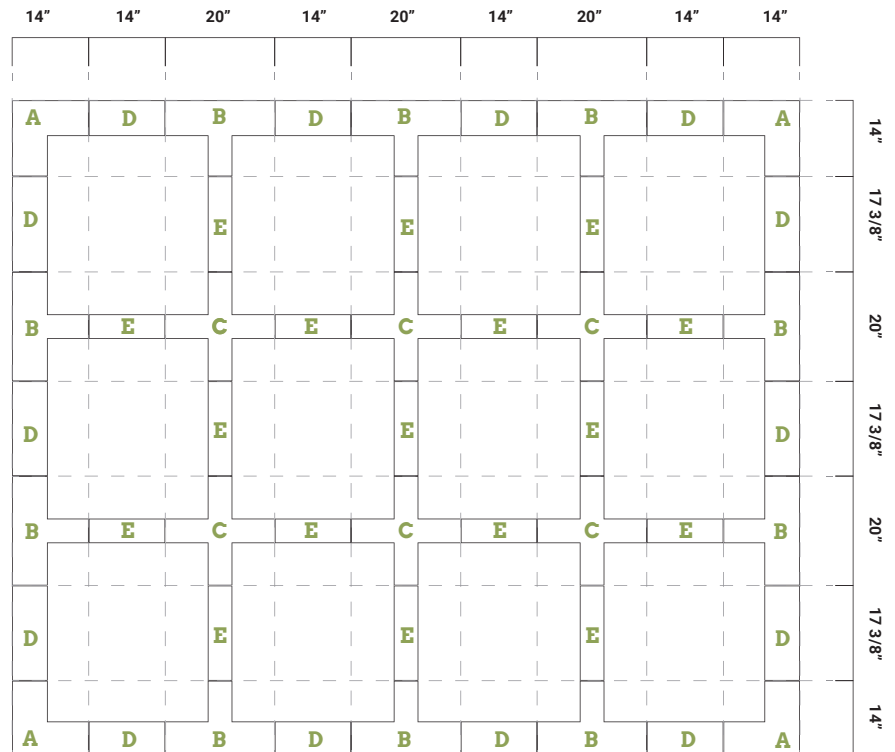
- A** 4 Corner Pieces - CC05PIC02X14X14TR
- B** 10 Perimeter tees - CC05PTE02X14X20TR
- C** 6 Intersect Pieces - CC05ICI02X20X20TR
- D** 3 Perimeter Beams (96" Each) - CC05PBM02X06X96TR
- E** 3 Inner Beams (96" Each) - CC05IBM02X04X96TR

EXAMPLE MEASURING DIAGRAMS

EXAMPLE 1



EXAMPLE 2



TOOLS & MATERIALS

Power Grab Adhesive
Utility Knife, Circular Saw, or Table Saw
Paint Brush or Roller
Measuring Tape
Sand Paper

SPECIAL INSTRUCTIONS & NOTES

Thoroughly read through the installation instructions to familiarize yourself before beginning. Acclimate the products for 24 hours to the room before installing. It is recommended that a complete layout be planned before cutting or installing. Take into consideration vents, fixtures, fire sprinklers, lighting, etc. Before installing ensure the product is free of any debris or dust.

STEP BY STEP INSTRUCTIONS

1. Prepare installation surface with sandpaper by removing excessive bumps or texture. Wipe clean & apply primer to ensure proper adhesion.
2. Mark center points on each side of the ceiling. (Fig. A)
3. Measure from the center to mark placement of the perimeter tee pieces. (Fig. B)
4. Connect each mark using a chalk line. (Fig. C)
5. Install corner pieces using adhesive & finishing nails. (Fig. D)
6. Install perimeter tees using adhesive & finishing nails, centering them on the chalk markings. (Fig. E)
7. Install intersection piece using adhesive & finishing nails, centering on the chalk markings. (Fig. F)
8. When installing perimeter beams make sure to measure for each space & cut according to that space, then install using adhesive & finishing nails. Apply adhesive to the backs & ends of the perimeter beam pieces. (Fig. G)
9. When installing inner beams make sure to measure for each space & cut according to that space, then install using adhesive & finishing nails. Apply adhesive to the backs & ends of the inner beam pieces. (Fig. H)
10. Once installed, paint your coffered ceiling as desired.

EXAMPLE INSTALLATION DIAGRAMS

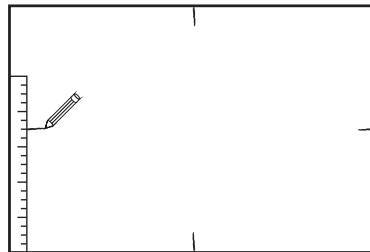


Fig. A

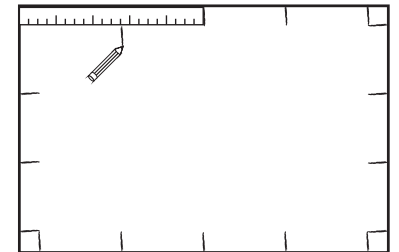


Fig. B

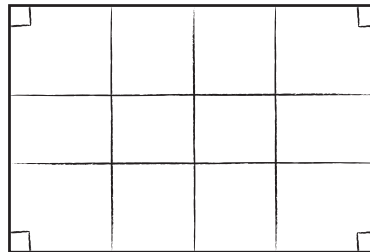


Fig. C

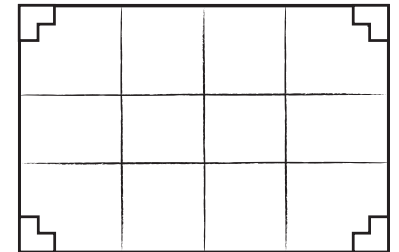


Fig. D

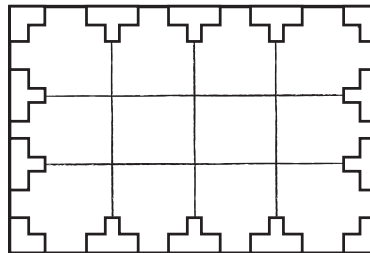


Fig. E

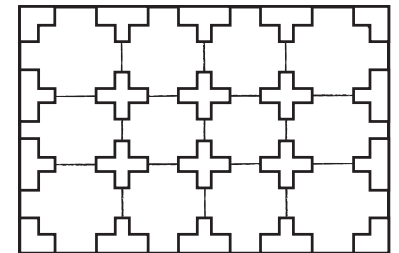


Fig. F

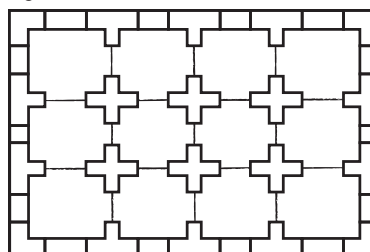


Fig. G

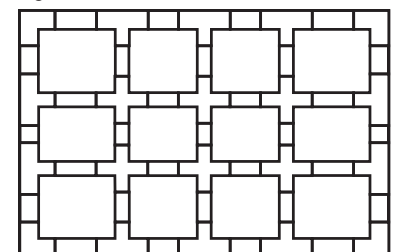


Fig. H

POLYURETHANE

ADONIS CEILING ACCENT : PML12X00AD



W	H	P	¢
23 1/2"	11 7/8"	3/4"	\$10.08

ADONIS CENTER: PML04X01AD

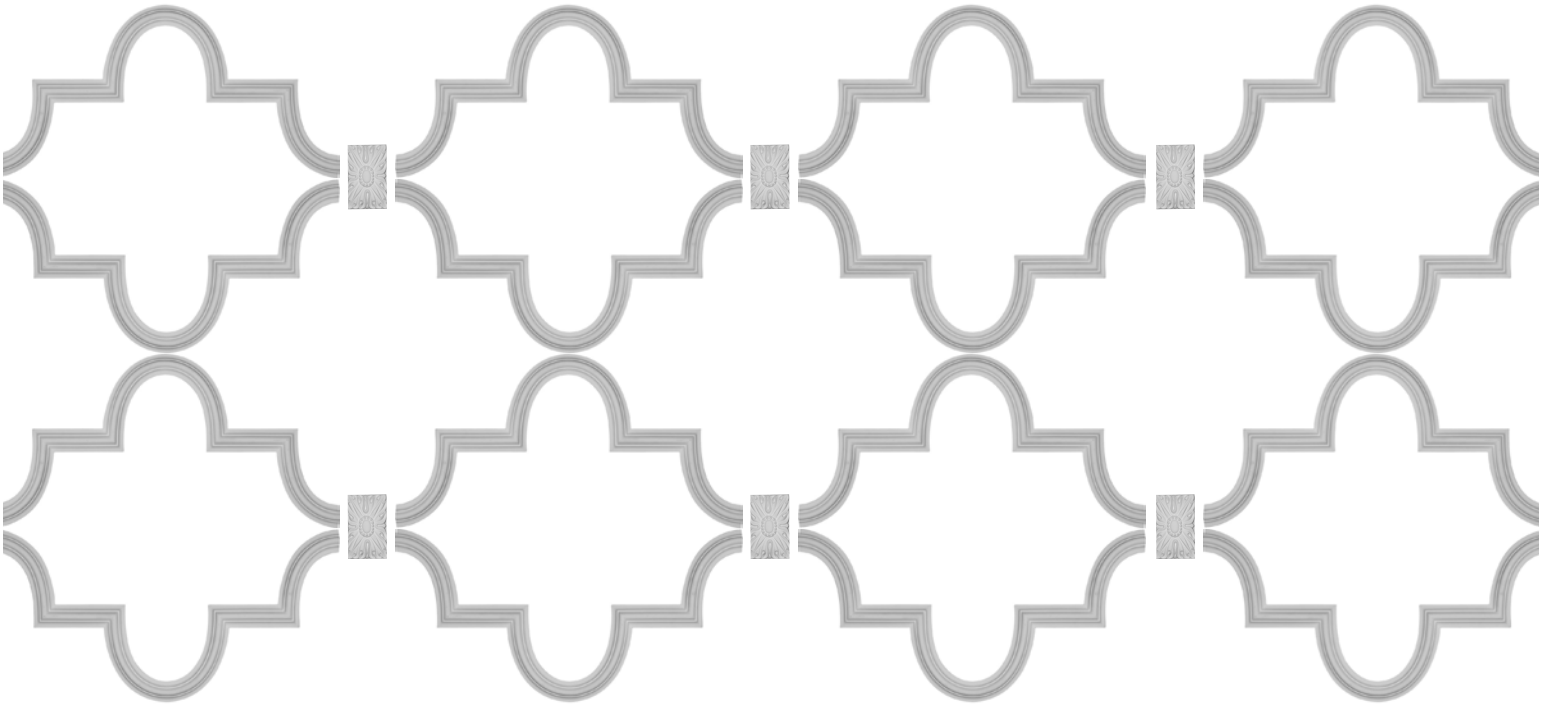


W	H	P	¢
4 1/4"	2 1/2"	1 5/8"	\$3.36

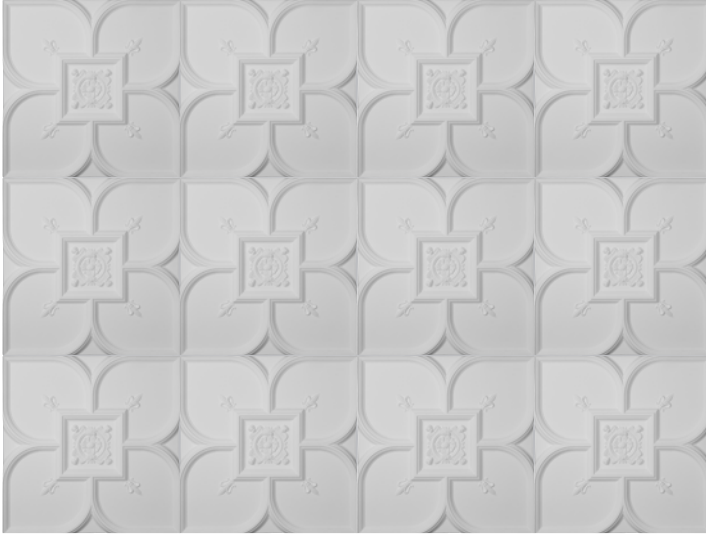
ADONIS CENTER: PML05X02AD



W	H	P	¢
4 1/2"	2 1/2"	1 3/4"	\$3.36



CEILING ACCENTS



FLEUR-DE-LIS

CT31X31FL

\$108.64

W	H	P
31 1/2"	31 1/2"	2 3/8"

